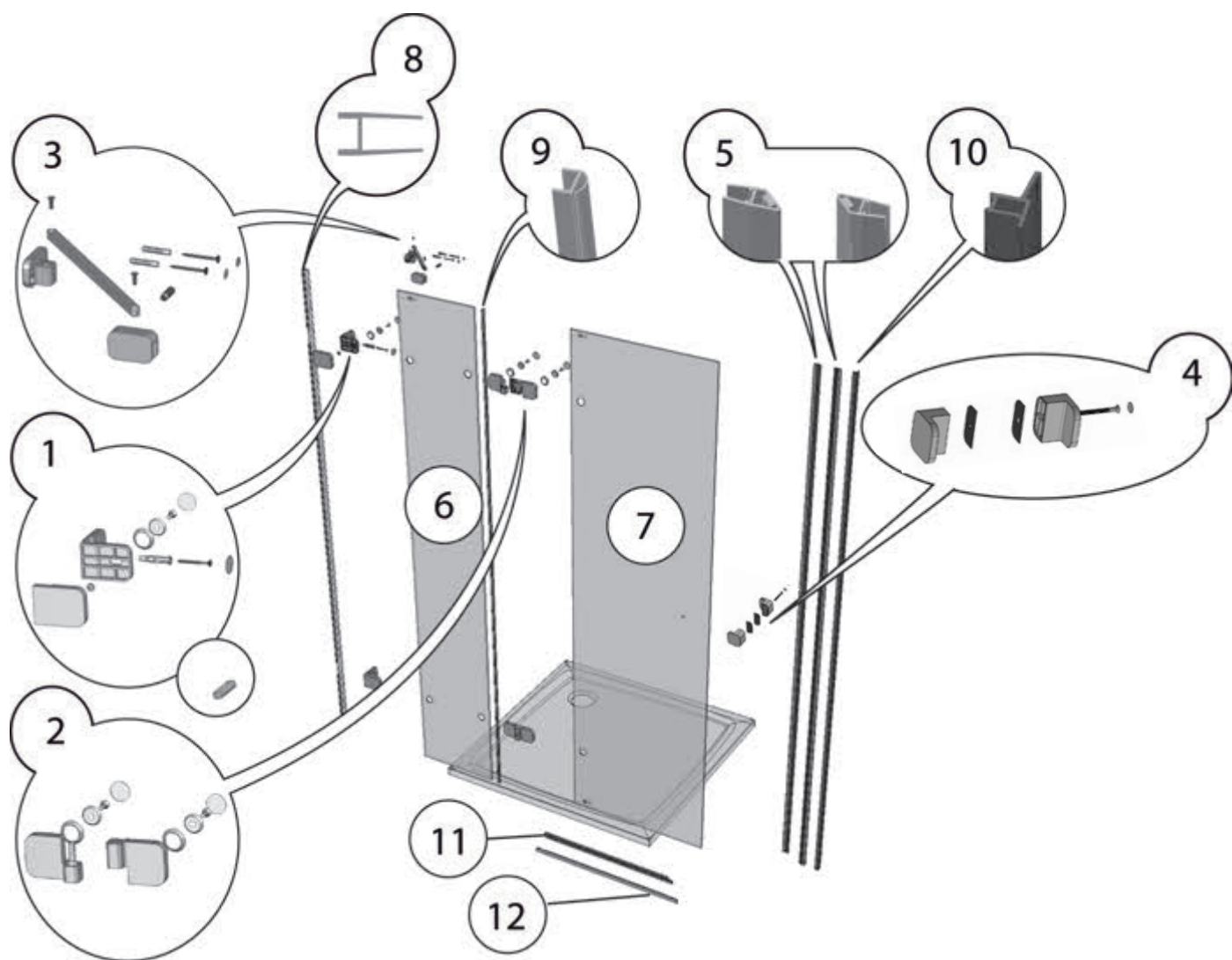

BRILLIANT

Katalog dílů

Platnost od 03/2014

RAVAK[®]

BSD2 L



Poznámky

BSD2 L

| Č. | Náhradní díl | název | BSD2 - 80 A - L | BSD2 - 80 B - L | BSD2 - 90 A - L | BSD2 - 90 B - L | BSD2 - 100 A - L | BSD2 - 100 B - L |
|----|---|--------------------------------|------------------|------------------|------------------|------------------|------------------|------------------|
| 1 | Úchyt Z-S komplet | Brilliant Chrom | X3BR01S010A | X3BR01S010A | X3BR01S010A | X3BR01S010A | X3BR01S010A | X3BR01S010A |
| 2 | Pant levý komplet | Brilliant Chrom | X3BR02S01LA | X3BR02S01LA | X3BR02S01LA | X3BR02S01LA | X3BR02S01LA | X3BR02S01LA |
| 3 | Vzpěra krátká komplet | Brilliant Chrom | | | | | X3BR05S010A | X3BR05S010A |
| 4 | Madlo S02 komplet | Brilliant Chrom | X3BR04S020A | X3BR04S020A | X3BR04S020A | X3BR04S020A | X3BR04S020A | X3BR04S020A |
| 5 | Sada - magnetky BSD2 L/R komplet | | D000000010 | D000000010 | D000000010 | D000000010 | D000000010 | D000000010 |
| 6 | Sklo pevné stěny dveří PP | | | | | | | |
| | Sklo | 8,0x1948x203 čiré BR-SR-PP-010 | X4Z180J482030GP0 | | | | | |
| | Sklo | 8,0x1948x213 čiré BR-SR-PP-020 | | X4Z180J482130GP0 | | | | |
| | Sklo | 8,0x1948x303 čiré BR-SR-PP-030 | | | X4Z180J483030GP0 | | X4Z180J483030GP0 | |
| | Sklo | 8,0x1948x313 čiré BR-SR-PP-040 | | | | X4Z180J483130GP0 | | X4Z180J483130GP0 |
| 7 | Sklo dveří D | | | | | | | |
| | Sklo | 6,0x1918x537 čiré BR-SR-D-010 | X4Z160J185370GD0 | X4Z160J185370GD0 | X4Z160J185370GD0 | X4Z160J185370GD0 | | |
| | Sklo | 6,0x1918x637 čiré BR-SR-D-020 | | | | | X4Z160J186370GD0 | X4Z160J186370GD0 |
| 8 | Těsnění Brilliant | zed-sklo dl.1948 mm | X3BR01005010 | X3BR01005010 | X3BR01005010 | X3BR01005010 | X3BR01005010 | X3BR01005010 |
| 9 | Těsnění Brilliant | sklo-sklo dl.1948 mm | X86400000050 | X86400000050 | X86400000050 | X86400000050 | X86400000050 | X86400000050 |
| 10 | Nosič magnetu BSD2 | 17228/04 Bright 1950 | XVH22804U1950 | XVH22804U1950 | XVH22804U1950 | XVH22804U1950 | XVH22804U1950 | XVH22804U1950 |
| 11 | Lišta s okap. | GLASS G-PL-66-01L (dl.552 mm) | X866000001L0 | X866000001L0 | X866000001L0 | X866000001L0 | | |
| | Lišta s okap. | GLASS G-PL-66-02L (dl.652 mm) | | | | | X866000002L0 | X866000002L0 |
| 12 | Prah.lišta BSD2 č.v.BR-P-01-01L chrom(dl.610mm) | | X3BRP0101LA | X3BRP0101LA | X3BRP0101LA | X3BRP0101LA | | |
| | Prah.lišta BSD2 č.v.BR-P-01-02L chrom(dl.710mm) | | | | | | X3BRP0102LA | X3BRP0102LA |

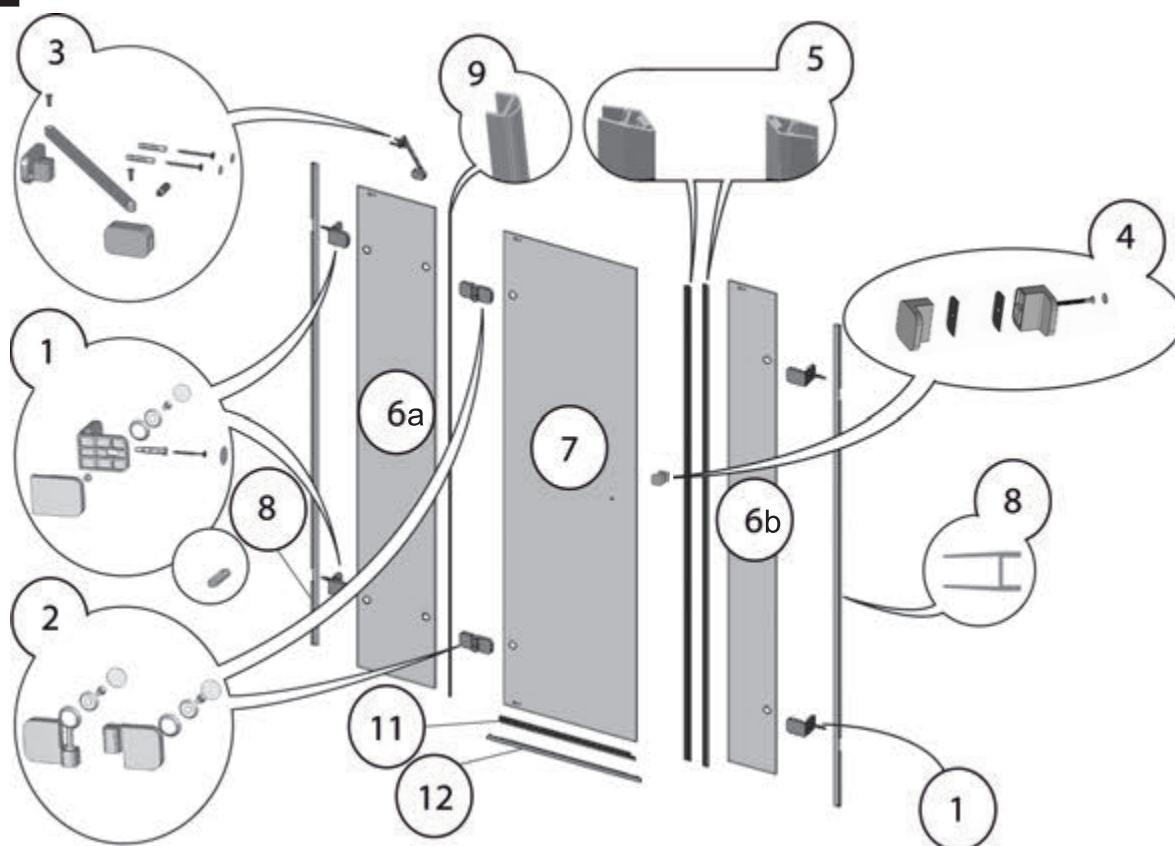
BSD2 R

| Č. | Náhradní díl | název | BSD2 - 80 A - R | BSD2 - 80 B - R | BSD2 - 90 A - R | BSD2 - 90 B - R | BSD2 - 100 A - R | BSD2 - 100 B - R |
|----|---|--------------------------------|------------------|------------------|------------------|------------------|------------------|------------------|
| 1 | Úchyt Z-S komplet | Brilliant Chrom | X3BR01S010A | X3BR01S010A | X3BR01S010A | X3BR01S010A | X3BR01S010A | X3BR01S010A |
| 2 | Pant levý komplet | Brilliant Chrom | X3BR02S01RA | X3BR02S01RA | X3BR02S01RA | X3BR02S01RA | X3BR02S01RA | X3BR02S01RA |
| 3 | Vzpěra krátká komplet | Brilliant Chrom | | | | | X3BR05S010A | X3BR05S010A |
| 4 | Madlo S02 komplet | Brilliant Chrom | X3BR04S020A | X3BR04S020A | X3BR04S020A | X3BR04S020A | X3BR04S020A | X3BR04S020A |
| 5 | Sada - magnetky BSD2 L/R komplet | | D000000010 | D000000010 | D000000010 | D000000010 | D000000010 | D000000010 |
| 6 | Sklo pevné stěny dveří PP | | | | | | | |
| | Sklo | 8,0x1948x203 čiré BR-SR-PP-010 | X4Z180J482030GP0 | | | | | |
| | Sklo | 8,0x1948x213 čiré BR-SR-PP-020 | | X4Z180J482130GP0 | | | | |
| | Sklo | 8,0x1948x303 čiré BR-SR-PP-030 | | | X4Z180J483030GP0 | | X4Z180J483030GP0 | |
| | Sklo | 8,0x1948x313 čiré BR-SR-PP-040 | | | | X4Z180J483130GP0 | | X4Z180J483130GP0 |
| 7 | Sklo dveří D | | | | | | | |
| | Sklo | 6,0x1918x537 čiré BR-SR-D-010 | X4Z160J185370GD0 | X4Z160J185370GD0 | X4Z160J185370GD0 | X4Z160J185370GD0 | | |
| | Sklo | 6,0x1918x637 čiré BR-SR-D-020 | | | | | X4Z160J186370GD0 | X4Z160J186370GD0 |
| 8 | Těsnění Brilliant | zed-sklo dl.1948 mm | X3BR01005010 | X3BR01005010 | X3BR01005010 | X3BR01005010 | X3BR01005010 | X3BR01005010 |
| 9 | Těsnění Brilliant | sklo-sklo dl.1948 mm | X86400000050 | X86400000050 | X86400000050 | X86400000050 | X86400000050 | X86400000050 |
| 10 | Nosič magnetu BSD2 | 17228/04 Bright 1950 | XVH22804U1950 | XVH22804U1950 | XVH22804U1950 | XVH22804U1950 | XVH22804U1950 | XVH22804U1950 |
| 11 | Lišta s okap. | GLASS G-PL-66-01P (dl.552 mm) | X866000001P0 | X866000001P0 | X866000001P0 | X866000001P0 | | |
| | Lišta s okap. | GLASS G-PL-66-02P (dl.652 mm) | | | | | X866000002P0 | X866000002P0 |
| 12 | Prah.lišta BSD2 č.v.BR-P-01-01R chrom(dl.610mm) | | X3BRP0101RA | X3BRP0101RA | X3BRP0101RA | X3BRP0101RA | | |
| | Prah.lišta BSD2 č.v.BR-P-01-02R chrom(dl.710mm) | | | | | | X3BRP0102RA | X3BRP0102RA |

BSD3 L; BSD3 R

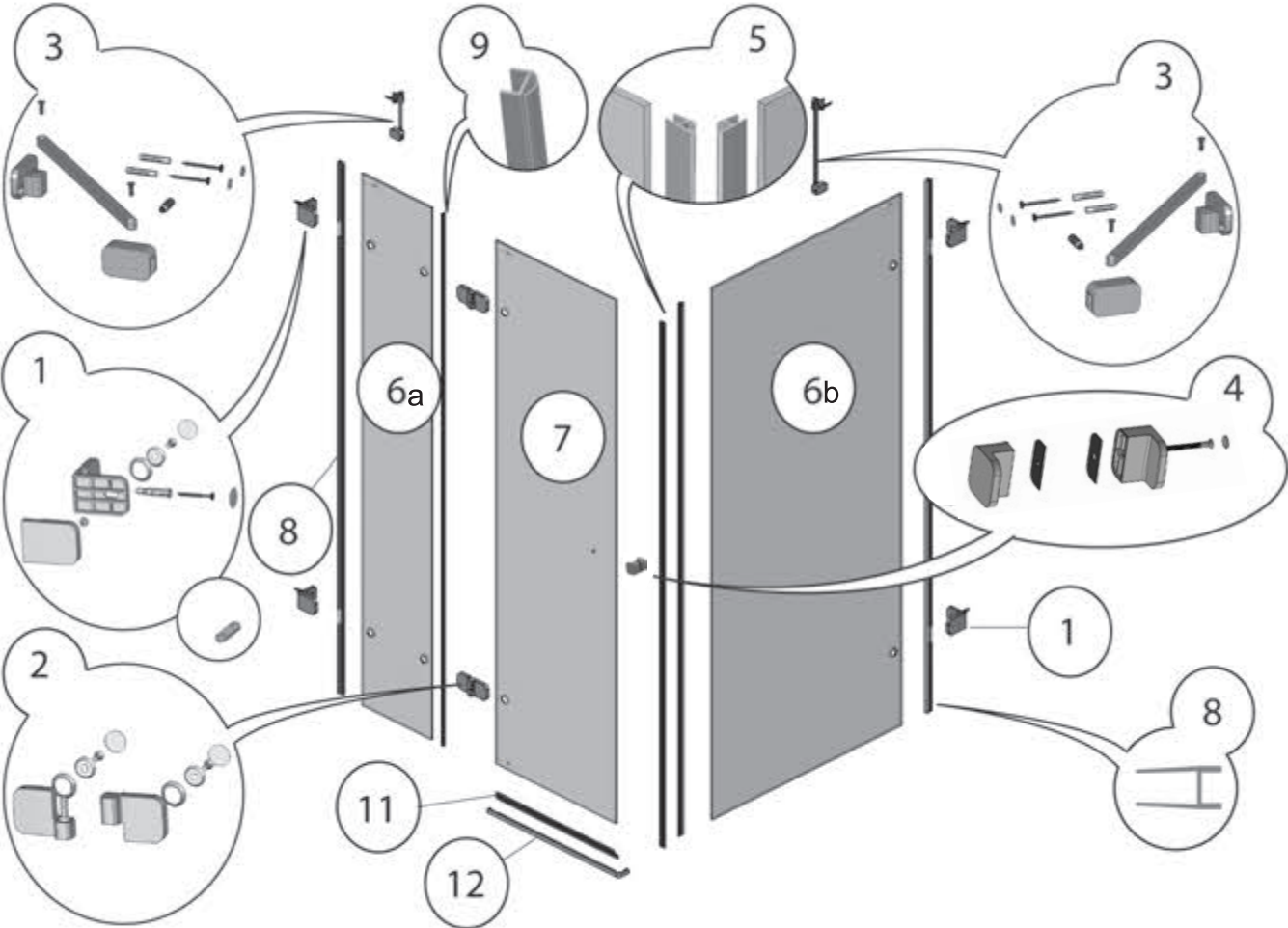
| Č. | Náhradní díl název | BSD3 - 110L | BSD3 - 120L | BSD3 - 110R | BSD3 - 120R |
|----|--|------------------|------------------|------------------|------------------|
| 1 | Úchyt Z-S komplet Brilliant Chrom | X3BR01S010A | X3BR01S010A | X3BR01S010A | X3BR01S010A |
| 2 | Pant levý komplet Brilliant Chrom | X3BR02S01LA | X3BR02S01LA | | |
| | Pant pravý komplet Brilliant Chrom | | | X3BR02S01RA | X3BR02S01RA |
| 3 | Vzpěra krátká komplet Brilliant Chrom | | X3BR05S010A | | X3BR05S010A |
| | Vzpěra dlouhá komplet Brilliant Chrom | | | | |
| 4 | Madlo S02 komplet Brilliant Chrom | X3BR04S020A | X3BR04S020A | X3BR04S020A | X3BR04S020A |
| 5 | Sada - magnetky BSD3 L/R komplet | D000000011 | D000000011 | D000000011 | D000000011 |
| 6a | Sklo pevné stěny dveří PP | | | | |
| | Sklo 8,0x1948x313 čiré BR-SR-PP-040 | X4Z180J483130GP0 | X4Z180J483130GP0 | X4Z180J483130GP0 | X4Z180J483130GP0 |
| 6b | Sklo pevné stěny PM | | | | |
| | Sklo 8,0x1948x192 čiré BR-SR-PM-01R pravé | X4Z180J481920GMR | X4Z180J481920GMR | | |
| | Sklo 8,0x1948x192 čiré BR-SR-PM-01L levé | | | X4Z180J481920GML | X4Z180J481920GML |
| 7 | Sklo dveří D | | | | |
| | Sklo 6,0x1918x537 čiré BR-SR-D-010 | X4Z160J185370GD0 | | X4Z160J185370GD0 | |
| | Sklo 6,0x1918x637 čiré BR-SR-D-020 | | X4Z160J186370GD0 | | X4Z160J186370GD0 |
| 8 | Těsnění Brilliant zeď-sklo dl.1948 mm | X3BR01005010 | X3BR01005010 | X3BR01005010 | X3BR01005010 |
| 9 | Těsnění Brilliant sklo-sklo dl.1948 mm | X86400000050 | X86400000050 | X86400000050 | X86400000050 |
| 10 | Nosič magnetu | | | | |
| 11 | Lišta s okap.GLASS G-PL-66-01 L/P dl.552 mm | X866000001L0 | | X866000001P0 | |
| | Lišta s okap.GLASS G-PL-66-02 L/P dl.652 mm | | X866000002L0 | | X866000002P0 |
| 12 | Prah.lišta BSD3 č.v.BR-P-02-01 chrom dl.621 mm | X3BRP02010A | | X3BRP02010A | |
| | Prah.lišta BSD3 č.v.BR-P-02-02 chrom dl.721 mm | | X3BRP02020A | | X3BRP02020A |

BSD3 L



Poznámky

BSDPS L



Poznámky

BSDPS L

| Č. | Náhradní díl | název | BSDPS- 80/80 L | BSDPS- 90/90 L | BSDPS-100/100 L | BSDPS-100/80 L |
|----|----------------------------------|--------------------|------------------|------------------|------------------|------------------|
| 1 | Úchyt Z-S komplet | Brilliant Chrom | X3BR01S010A | X3BR01S010A | X3BR01S010A | X3BR01S010A |
| 2 | Pant levý komplet | Brilliant Chrom | X3BR02S01LA | X3BR02S01LA | X3BR02S01LA | X3BR02S01LA |
| | Pant pravý komplet | Brilliant Chrom | | | | |
| 3 | Vzpěra krátká komplet | Brilliant Chrom | | | X3BR05S010A | X3BR05S010A |
| | Vzpěra dlouhá komplet | Brilliant Chrom | X3BR05S020A | X3BR05S020A | X3BR05S020A | X3BR05S020A |
| 4 | Madlo S02 komplet | Brilliant Chrom | X3BR04S020A | X3BR04S020A | X3BR04S020A | X3BR04S020A |
| 5 | Sada - magnetky BSDPS | komplet | D000000015 | D000000015 | D000000015 | D000000015 |
| 6a | Sklo pevné stěny dveří PP | | | | | |
| | Sklo 8,0x1948x213 čiré | BR-SR-PP-020 | X4Z180J482130GP0 | | | |
| | Sklo 8,0x1948x313 čiré | BR-SR-PP-040 | | X4Z180J483130GP0 | X4Z180J483130GP0 | X4Z180J483130GP0 |
| 7 | Sklo dveří D | | | | | |
| | Sklo 6,0x1918x537 čiré | BR-SR-D-010 | X4Z160J185370GD0 | X4Z160J185370GD0 | | |
| | Sklo 6,0x1918x637 čiré | BR-SR-D-020 | | | X4Z160J186370GD0 | X4Z160J186370GD0 |
| 6b | Sklo pevné stěny PM | | | | | |
| | Sklo 8,0x1948x752 čiré | BR-SR-PM-05R pravé | X4Z180J487520GMR | | | X4Z180J487520GMR |
| | Sklo 8,0x1948x852 čiré | BR-SR-PM-06R pravé | | X4Z180J488520GMR | | |
| | Sklo 8,0x1948x952 čiré | BR-SR-PM-07R pravé | | | X4Z180J489520GMR | |
| 8 | Těsnění zeď - sklo | dl.1948 mm | X3BR01005010 | X3BR01005010 | X3BR01005010 | X3BR01005010 |
| 9 | Těsnění sklo - sklo | dl.1948 mm | X86400000050 | X86400000050 | X86400000050 | X86400000050 |
| 10 | Nosič magnetu | | | | | |
| 11 | Lišta s okap.GLASS G-PL-66-01 L | dl.552 mm | X866000001L0 | X866000001L0 | | |
| | Lišta s okap.GLASS G-PL-66-02 L | dl.652 mm | | | X866000002L0 | X866000002L0 |
| 12 | Prah.lišta BSDPS BR-P-05-01L | chrom(dl.594x50mm) | X3BRP0501LA | X3BRP0501LA | | |
| | Prah.lišta BSDPS BR-P-05-02L | chrom(dl.694x50mm) | | | X3BRP0502LA | X3BRP0502LA |

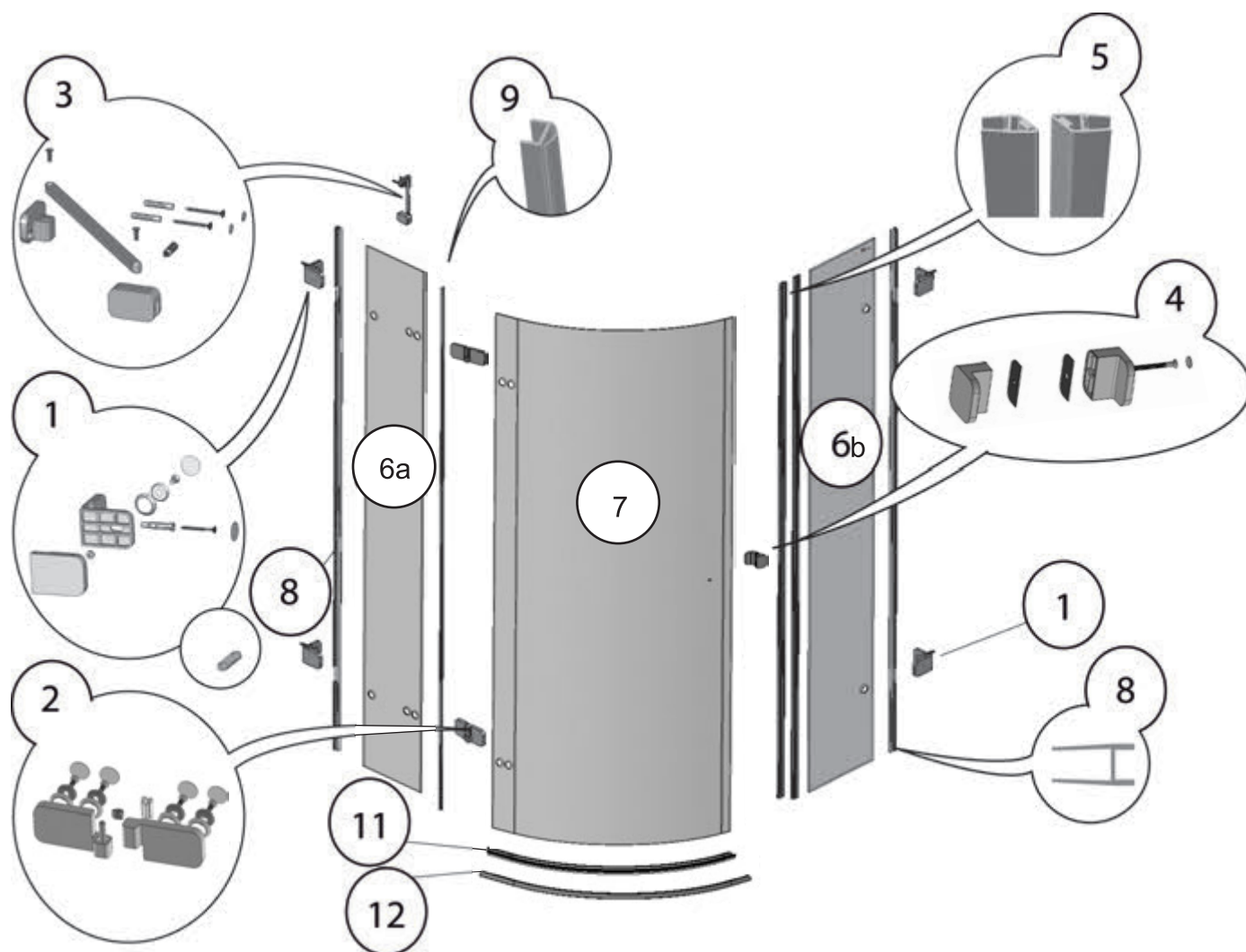
| Č. | Náhradní díl | název | BSDPS-110/80 L | BSDPS-120/80 L | BSDPS-120/90 L |
|----|----------------------------------|--------------------|------------------|------------------|------------------|
| 1 | Úchyt Z-S komplet | Brilliant Chrom | X3BR01S010A | X3BR01S010A | X3BR01S010A |
| 2 | Pant levý komplet | Brilliant Chrom | X3BR02S01LA | X3BR02S01LA | X3BR02S01LA |
| | Pant pravý komplet | Brilliant Chrom | | | |
| 3 | Vzpěra krátká komplet | Brilliant Chrom | X3BR05S010A | | |
| | Vzpěra dlouhá komplet | Brilliant Chrom | X3BR05S020A | X3BR05S020A - 2x | X3BR05S020A - 2x |
| 4 | Madlo S02 komplet | Brilliant Chrom | X3BR04S020A | X3BR04S020A | X3BR04S020A |
| 5 | Sada - magnetky BSDPS | komplet | D000000015 | D000000015 | D000000015 |
| 6a | Sklo pevné stěny dveří PP | | | | |
| | Sklo 8,0x1948x413 čiré | BR-SR-PP-050 | X4Z180J484130GP0 | | |
| | Sklo 8,0x1948x513 čiré | BR-SR-PP-060 | | X4Z180J485130GP0 | X4Z180J485130GP0 |
| 7 | Sklo dveří D | | | | |
| | Sklo 6,0x1918x637 čiré | BR-SR-D-020 | X4Z160J186370GD0 | X4Z160J186370GD0 | X4Z160J186370GD0 |
| 6b | Sklo pevné stěny PM | | | | |
| | Sklo 8,0x1948x752 čiré | BR-SR-PM-05R pravé | X4Z180J487520GMR | X4Z180J487520GMR | |
| | Sklo 8,0x1948x852 čiré | BR-SR-PM-06R pravé | | | X4Z180J488520GMR |
| 8 | Těsnění zeď - sklo | dl.1948 mm | X3BR01005010 | X3BR01005010 | X3BR01005010 |
| 9 | Těsnění sklo - sklo | dl.1948 mm | X86400000050 | X86400000050 | X86400000050 |
| 10 | Nosič magnetu | | | | |
| 11 | Lišta s okap.GLASS G-PL-66-02 L | dl.652 mm | X866000002L0 | X866000002L0 | X866000002L0 |
| 12 | Prah.lišta BSDPS BR-P-05-02L | chrom(dl.694x50mm) | X3BRP0502LA | X3BRP0502LA | X3BRP0502LA |

BSDPS R

| Č. | Náhradní díl název | BSDPS- 80/80 R | BSDPS- 90/90 R | BSDPS-100/100R | BSDPS-100/80 R |
|----|---|------------------|------------------|------------------|------------------|
| 1 | Úchyt Z-S komplet Brilliant Chrom | X3BR01S010A | X3BR01S010A | X3BR01S010A | X3BR01S010A |
| 2 | Pant pravý komplet Brilliant Chrom | X3BR02S01RA | X3BR02S01RA | X3BR02S01RA | X3BR02S01RA |
| | Pant levý komplet Brilliant Chrom | | | | |
| 3 | Vzpěra krátká komplet Brilliant Chrom | | | X3BR05S010A | X3BR05S010A |
| | Vzpěra dlouhá komplet Brilliant Chrom | X3BR05S020A | X3BR05S020A | X3BR05S020A | X3BR05S020A |
| 4 | Madlo S02 komplet Brilliant Chrom | X3BR04S020A | X3BR04S020A | X3BR04S020A | X3BR04S020A |
| 5 | Sada - magnetky BSDPS komplet | D000000015 | D000000015 | D000000015 | D000000015 |
| 6a | Sklo pevné stěny dveří PP | | | | |
| | Sklo 8,0x1948x213 čiré BR-SR-PP-020 | X4Z180J482130GP0 | | | |
| | Sklo 8,0x1948x313 čiré BR-SR-PP-040 | | X4Z180J483130GP0 | X4Z180J483130GP0 | X4Z180J483130GP0 |
| 7 | Sklo dveří D | | | | |
| | Sklo 6,0x1918x537 čiré BR-SR-D-010 | X4Z160J185370GD0 | X4Z160J185370GD0 | | |
| | Sklo 6,0x1918x637 čiré BR-SR-D-020 | | | X4Z160J186370GD0 | X4Z160J186370GD0 |
| 6b | Sklo pevné stěny PM | | | | |
| | Sklo 8,0x1948x752 čiré BR-SR-PM-05L levé | X4Z180J487520GML | | | X4Z180J487520GML |
| | Sklo 8,0x1948x852 čiré BR-SR-PM-06L levé | | X4Z180J488520GML | | |
| | Sklo 8,0x1948x952 čiré BR-SR-PM-07L levé | | | X4Z180J489520GML | |
| 8 | Těsnění zeď - sklo dl.1948 mm | X3BR01005010 | X3BR01005010 | X3BR01005010 | X3BR01005010 |
| 9 | Těsnění sklo - sklo dl.1948 mm | X86400000050 | X86400000050 | X86400000050 | X86400000050 |
| 10 | Nosič magnetu | | | | |
| 11 | Lišta s okap.GLASS G-PL-66-01 P dl.552 mm | X866000001P0 | X866000001P0 | | |
| | Lišta s okap.GLASS G-PL-66-02 P dl.652 mm | | | X866000002P0 | X866000002P0 |
| 12 | Prah.lišta BSDPS BR-P-05-01R chrom(dl.594x50mm) | X3BRP0501RA | X3BRP0501RA | | |
| | Prah.lišta BSDPS BR-P-05-02R chrom(dl.694x50mm) | | | X3BRP0502RA | X3BRP0502RA |

| Č. | Náhradní díl název | BSDPS-110/80 R | BSDPS-120/80 R | BSDPS-120/90R |
|----|---|------------------|------------------|------------------|
| 1 | Úchyt Z-S komplet Brilliant Chrom | X3BR01S010A | X3BR01S010A | X3BR01S010A |
| 2 | Pant pravý komplet Brilliant Chrom | X3BR02S01RA | X3BR02S01RA | X3BR02S01RA |
| | Pant levý komplet Brilliant Chrom | | | |
| 3 | Vzpěra krátká komplet Brilliant Chrom | X3BR05S010A | | |
| | Vzpěra dlouhá komplet Brilliant Chrom | X3BR05S020A | X3BR05S020A - 2x | X3BR05S020A - 2x |
| 4 | Madlo S02 komplet Brilliant Chrom | X3BR04S020A | X3BR04S020A | X3BR04S020A |
| 5 | Sada - magnetky BSDPS komplet | D000000015 | D000000015 | D000000015 |
| 6a | Sklo pevné stěny dveří PP | | | |
| | Sklo 8,0x1948x413 čiré BR-SR-PP-050 | X4Z180J484130GP0 | | |
| | Sklo 8,0x1948x513 čiré BR-SR-PP-060 | | X4Z180J485130GP0 | X4Z180J485130GP0 |
| 7 | Sklo dveří D | | | |
| | Sklo 6,0x1918x637 čiré BR-SR-D-020 | X4Z160J186370GD0 | X4Z160J186370GD0 | X4Z160J186370GD0 |
| 6b | Sklo pevné stěny PM | | | |
| | Sklo 8,0x1948x752 čiré BR-SR-PM-05L levé | X4Z180J487520GML | X4Z180J487520GML | |
| | Sklo 8,0x1948x852 čiré BR-SR-PM-06L levé | | | X4Z180J488520GML |
| 8 | Těsnění zeď - sklo dl.1948 mm | X3BR01005010 | X3BR01005010 | X3BR01005010 |
| 9 | Těsnění sklo - sklo dl.1948 mm | X86400000050 | X86400000050 | X86400000050 |
| 10 | Nosič magnetu | | | |
| 11 | Lišta s okap.GLASS G-PL-66-02 P dl.652 mm | X866000002P0 | X866000002P0 | X866000002P0 |
| 12 | Prah.lišta BSDPS BR-P-05-02R chrom(dl.694x50mm) | X3BRP0502RA | X3BRP0502RA | X3BRP0502RA |

BSKK3 L



Poznámky

BSKK3 L

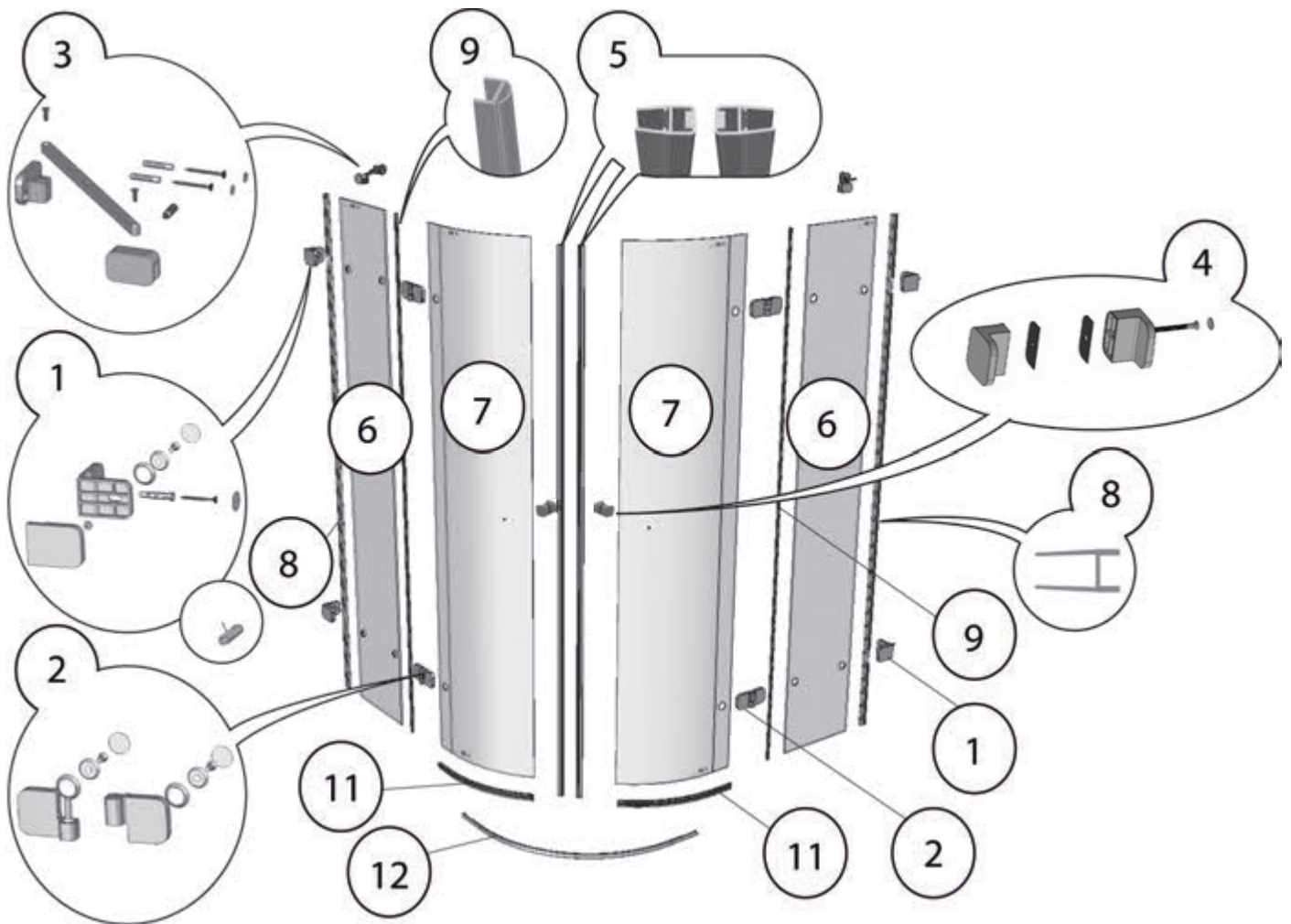
| Č. | Náhradní díl | název | BSKK3 - 80 - L | BSKK3 - 90 - L | BSKK3 - 100 - L |
|-----------|----------------------------------|---------------------------------|------------------|------------------|------------------|
| 1 | Úchyt Z-S | komplet Brilliant Chrom | X3BR01S010A | X3BR01S010A | X3BR01S010A |
| 2 | Pant KK3 | levý komplet Brilliant Chrom | X3BR06S01LA | X3BR06S01LA | X3BR06S01LA |
| 3 | Vzpěra | krátká komplet Brilliant Chrom | X3BR05S010A | X3BR05S010A | X3BR05S010A |
| 4 | Madlo | komplet S02 Brilliant Chrom | X3BR04S020A | X3BR04S020A | X3BR04S020A |
| 5 | Sada - magnetky | BSKK3 L/R komplet | D000000012 | D000000012 | D000000012 |
| 6a | Sklo pevné stěny dveří PP | | | | |
| | Sklo 8,0x1948x184 | levé čiré BR-SR-PPK-01L | X4Z180J481840BKL | | |
| | Sklo 8,0x1948x284 | levé čiré BR-SR-PPK-02L | | X4Z180J482840BKL | |
| | Sklo 8,0x1948x384 | levé čiré BR-SR-PPK-03L | | | X4Z180J483840BKL |
| 6b | Sklo pevné stěny PM | | | | |
| | Sklo 8,0x1948x223 | pravé čiré BR-SR-PM-08R | X4Z180J482230GMR | | |
| | Sklo 8,0x1948x323 | pravé čiré BR-SR-PM-09R | | X4Z180J483230GMR | |
| | Sklo 8,0x1948x423 | pravé čiré BR-SR-PM-10R | | | X4Z180J484230GMR |
| 7 | Sklo dveří D | | | | |
| | Sklo ohnuté 6,0x1918x896 | čiré BR-SZ-003 | X4Y160J188960BD0 | X4Y160J188960BD0 | X4Y160J188960BD0 |
| 8 | Těsnění Brilliant | zed-sklo dl.1948 mm | X3BR01005010 | X3BR01005010 | X3BR01005010 |
| 9 | Těsnění Brilliant | sklo-sklo dl.1948 mm | X86400000050 | X86400000050 | X86400000050 |
| 10 | Nosič | magnetu | | | |
| 11 | Lišta s okap. | BSKK3-L, G-PL-66-08L | X866000008L0 | X866000008L0 | X866000008L0 |
| 12 | Prah.lišta | BSKK3-L, č.v. BR-P-07-01L chrom | X3BRP0701LA | X3BRP0701LA | X3BRP0701LA |

BSKK3 R

| Č. | Náhradní díl | název | BSKK3 - 80 - R | BSKK3 - 90 - R | BSKK3 - 100 - R |
|-----------|----------------------------------|---------------------------------|------------------|------------------|------------------|
| 1 | Úchyt Z-S | komplet Brilliant Chrom | X3BR01S010A | X3BR01S010A | X3BR01S010A |
| 2 | Pant KK3 | pravý komplet Brilliant Chrom | X3BR06S01RA | X3BR06S01RA | X3BR02S01RA |
| 3 | Vzpěra | krátká komplet Brilliant Chrom | X3BR05S010A | X3BR05S010A | X3BR05S010A |
| 4 | Madlo | S02 komplet Brilliant Chrom | X3BR04S020A | X3BR04S020A | X3BR04S020A |
| 5 | Sada - magnetky | BSKK3 L/R komplet | D000000012 | D000000012 | D000000012 |
| 6a | Sklo pevné stěny dveří PP | | | | |
| | Sklo 8,0x1948x184 | pravé čiré BR-SR-PPK-01R | X4Z180J481840BKR | | |
| | Sklo 8,0x1948x284 | pravé čiré BR-SR-PPK-02R | | X4Z180J482840BKR | |
| | Sklo 8,0x1948x384 | pravé čiré BR-SR-PPK-03R | | | X4Z180J483840BKR |
| 6b | Sklo pevné stěny PM | | | | |
| | Sklo 8,0x1948x223 | levé čiré BR-SR-PM-08L | X4Z180J482230GML | | |
| | Sklo 8,0x1948x323 | levé čiré BR-SR-PM-09L | | X4Z180J483230GML | |
| | Sklo 8,0x1948x423 | levé čiré BR-SR-PM-10L | | | X4Z180J484230GML |
| 7 | Sklo dveří D | | | | |
| | Sklo ohnuté 6,0x1918x896 | čiré BR-SZ-003 | X4Y160J188960BD0 | X4Y160J188960BD0 | X4Y160J188960BD0 |
| 8 | Těsnění Brilliant | zed-sklo dl.1948 mm | X3BR01005010 | X3BR01005010 | X3BR01005010 |
| 9 | Těsnění Brilliant | sklo-sklo dl.1948 mm | X86400000050 | X86400000050 | X86400000050 |
| 10 | Nosič | magnetu | | | |
| 11 | Lišta s okap. | BSKK3-R, G-PL-66-08R | X866000008R0 | X866000008R0 | X866000008R0 |
| 12 | Prah.lišta | BSKK3-R, č.v. BR-P-07-01R chrom | X3BRP0701RA | X3BRP0701RA | X3BRP0701RA |

BSKK4

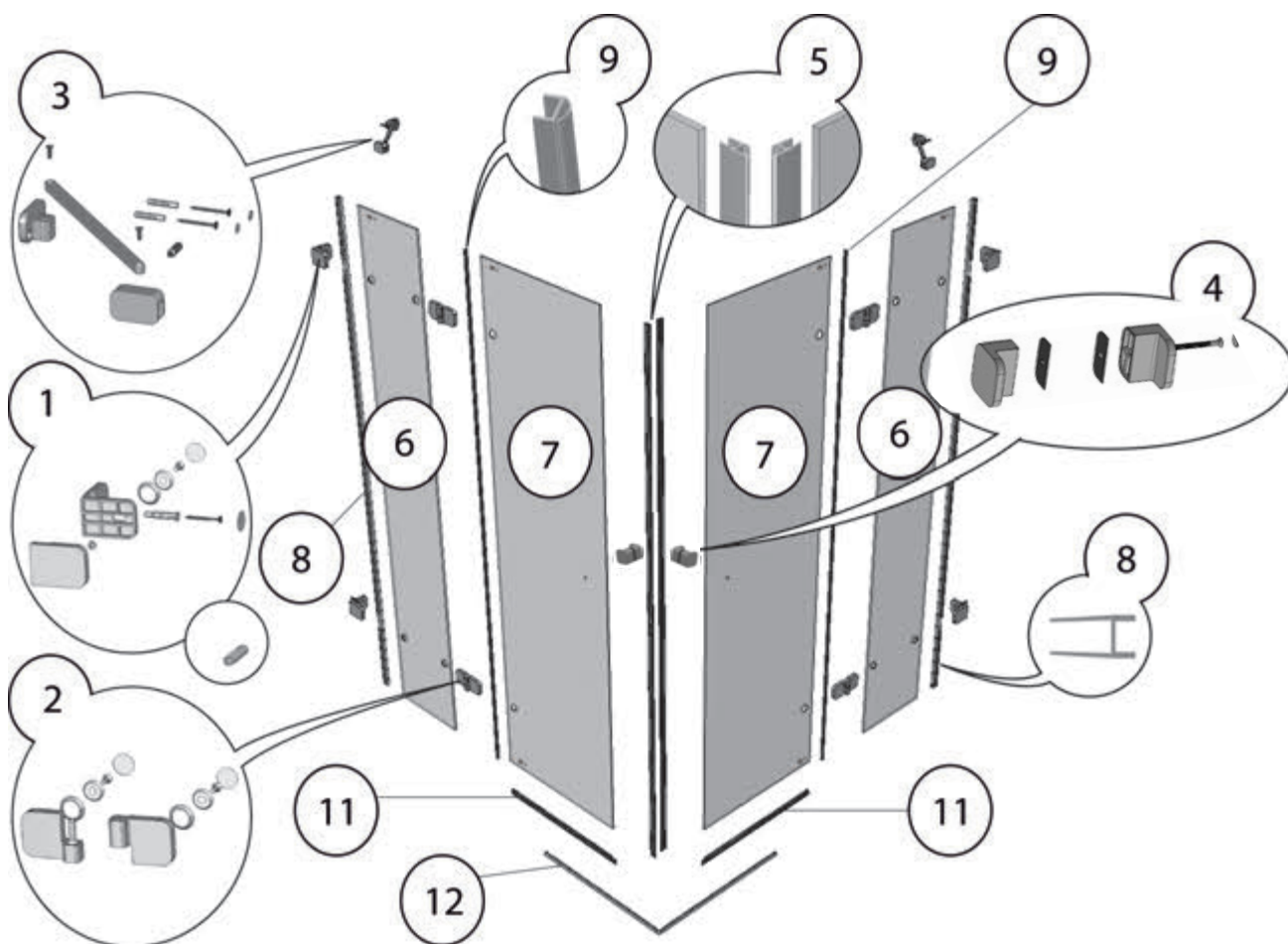
| Č. | Náhradní díl | název | BSKK4- 80 | BSKK4- 90 | BSKK4- 100 |
|----|----------------------------------|----------------------|------------------|------------------|------------------|
| 1 | Úchyt Z-S komplet | Brilliant Chrom | X3BR01S010A | X3BR01S010A | X3BR01S010A |
| 2 | Pant levý komplet | Brilliant Chrom | X3BR02S01LA | X3BR02S01LA | X3BR02S01LA |
| | Pant pravý komplet | Brilliant Chrom | X3BR02S01RA | X3BR02S01RA | X3BR02S01RA |
| 3 | Vzpěra krátká komplet | Brilliant Chrom | | | X3BR05S010A |
| 4 | Madlo S02 komplet | Brilliant Chrom | X3BR04S020A | X3BR04S020A | X3BR04S020A |
| 5 | Sada - magnetky BSKK4 | komplet | D000000014 | D000000014 | D000000014 |
| 6 | Sklo pevné stěny dveří PP | | | | |
| | Sklo 8,0x1948x213 | čiré BR-SR-PP-020 | X4Z180J482130GP0 | | |
| | Sklo 8,0x1948x313 | čiré BR-SR-PP-040 | | X4Z180J483130GP0 | |
| | Sklo 8,0x1948x413 | čiré BR-SR-PP-050 | | | X4Z180J484130GP0 |
| 7 | Sklo dveří | | | | |
| | Sklo ohnuté 6,0x1918x440 | čiré BR-SZ-002 | X4Y160J184400GD0 | X4Y160J184400GD0 | X4Y160J184400GD0 |
| 8 | Těsnění Brilliant | zed-sklo dl.1948 mm | X3BR01005010 | X3BR01005010 | X3BR01005010 |
| 9 | Těsnění Brilliant | sklo-sklo dl.1948 mm | X86400000050 | X86400000050 | X86400000050 |
| 10 | Nosič magnetu | | | | |
| 11 | Lišta s okap.GLASS G-PL-66-05 L | dl.908 mm | X866000005L0 | X866000005L0 | X866000005L0 |
| | Lišta s okap.GLASS G-PL-66-05 P | dl.908 mm | X866000005P0 | X866000005P0 | X866000005P0 |
| 12 | Prah.lišta BSKK4 BR-P-03-01 | dl.1009 mm | X3BRP03010A | X3BRP03010A | X3BRP03010A |



Poznámky

BSRV4

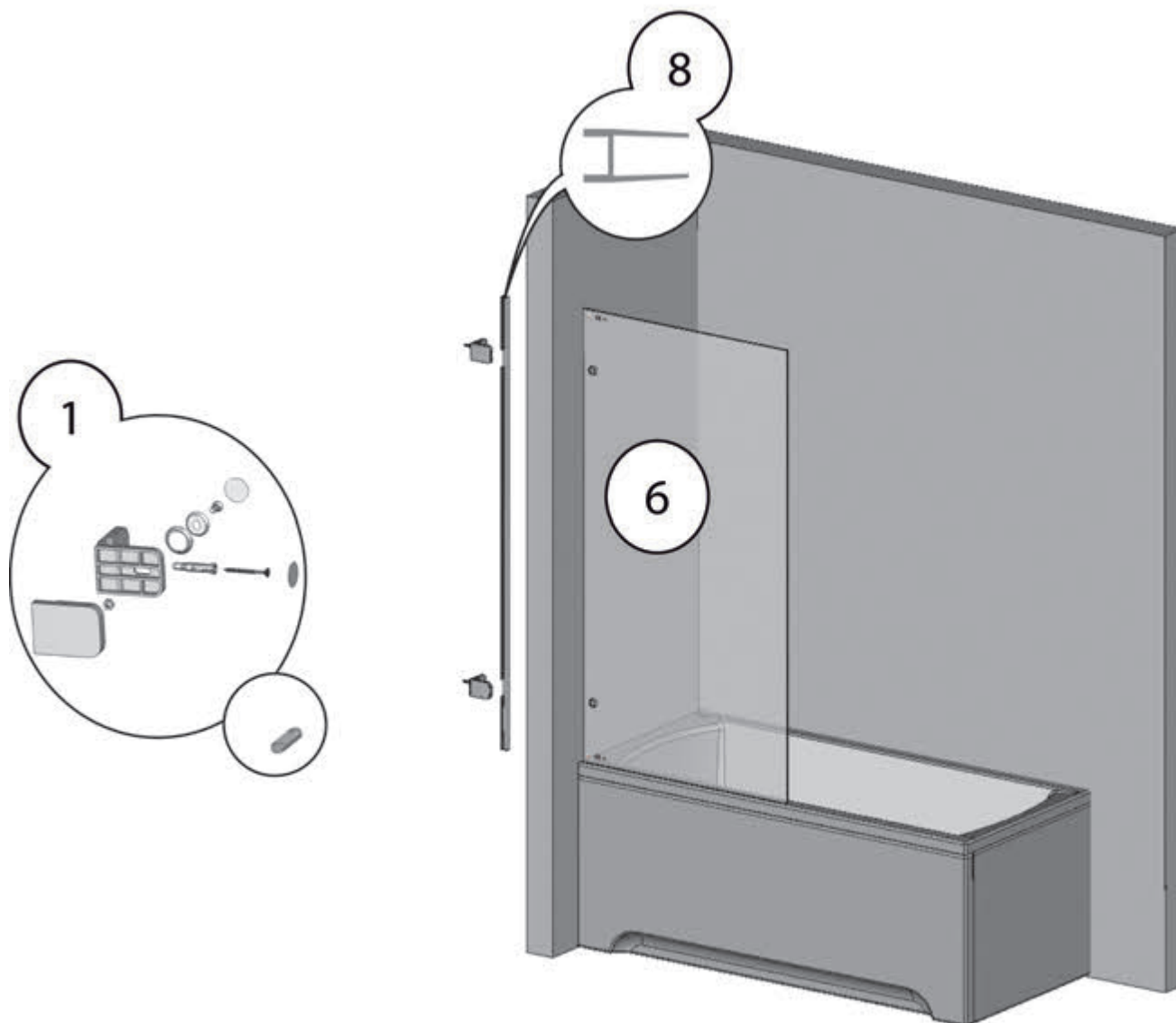
| Č. | Náhradní díl název | BSRV4- 80 | BSRV4- 90 | BSRV4- 100 |
|----|---|------------------|------------------|------------------|
| 1 | Úchyt Z-S komplet Brilliant Chrom | X3BR01S010A | X3BR01S010A | X3BR01S010A |
| 2 | Pant levý komplet Brilliant Chrom | X3BR02S01LA | X3BR02S01LA | X3BR02S01LA |
| | Pant pravý komplet Brilliant Chrom | X3BR02S01RA | X3BR02S01RA | X3BR02S01RA |
| 3 | Vzpěra krátká komplet Brilliant Chrom | | | X3BR05S010A |
| 4 | Madlo S02 komplet Brilliant Chrom | X3BR04S020A | X3BR04S020A | X3BR04S020A |
| 5 | Sada - magnetky BSKK4 komplet | D000000013 | D000000013 | D000000013 |
| 6 | Sklo pevné stěny dveří PP | | | |
| | Sklo 8,0x1948x213 čiré BR-SR-PP-020 | X4Z180J482130GP0 | | |
| | Sklo 8,0x1948x313 čiré BR-SR-PP-040 | | X4Z180J483130GP0 | X4Z180J483130GP0 |
| 7 | Sklo dveří D | | | |
| | Sklo 6,0x1918x537 čiré BR-SR-D-010 | X4Z160J185370GD0 | X4Z160J185370GD0 | |
| | Sklo 6,0x1918x637 čiré BR-SR-D-020 | | | X4Z160J186370GD0 |
| 8 | Těsnění zeď - sklo dl.1948 mm | X3BR01005010 | X3BR01005010 | X3BR01005010 |
| 9 | Těsnění sklo - sklo dl.1948 mm | X86400000050 | X86400000050 | X86400000050 |
| 10 | Nosič magnetu | | | |
| 11 | Lišta s okap.GLASS G-PL-66-01 L dl.552 mm | X866000001L0 | X866000001L0 | |
| | Lišta s okap.GLASS G-PL-66-02 L dl.652 mm | | | X866000002L0 |
| | Lišta s okap.GLASS G-PL-66-01 P dl.552 mm | X866000001P0 | X866000001P0 | |
| | Lišta s okap.GLASS G-PL-66-02 P dl.652 mm | | | X866000002P0 |
| 12 | Prah.lišta BSRV4 BR-P-04-01 dl.593x593 mm | X3BRP04010A | X3BRP04010A | |
| | Prah.lišta BSRV4 BR-P-04-02 dl.693x693 mm | | | X3BRP04020A |



Poznámky

BVS1

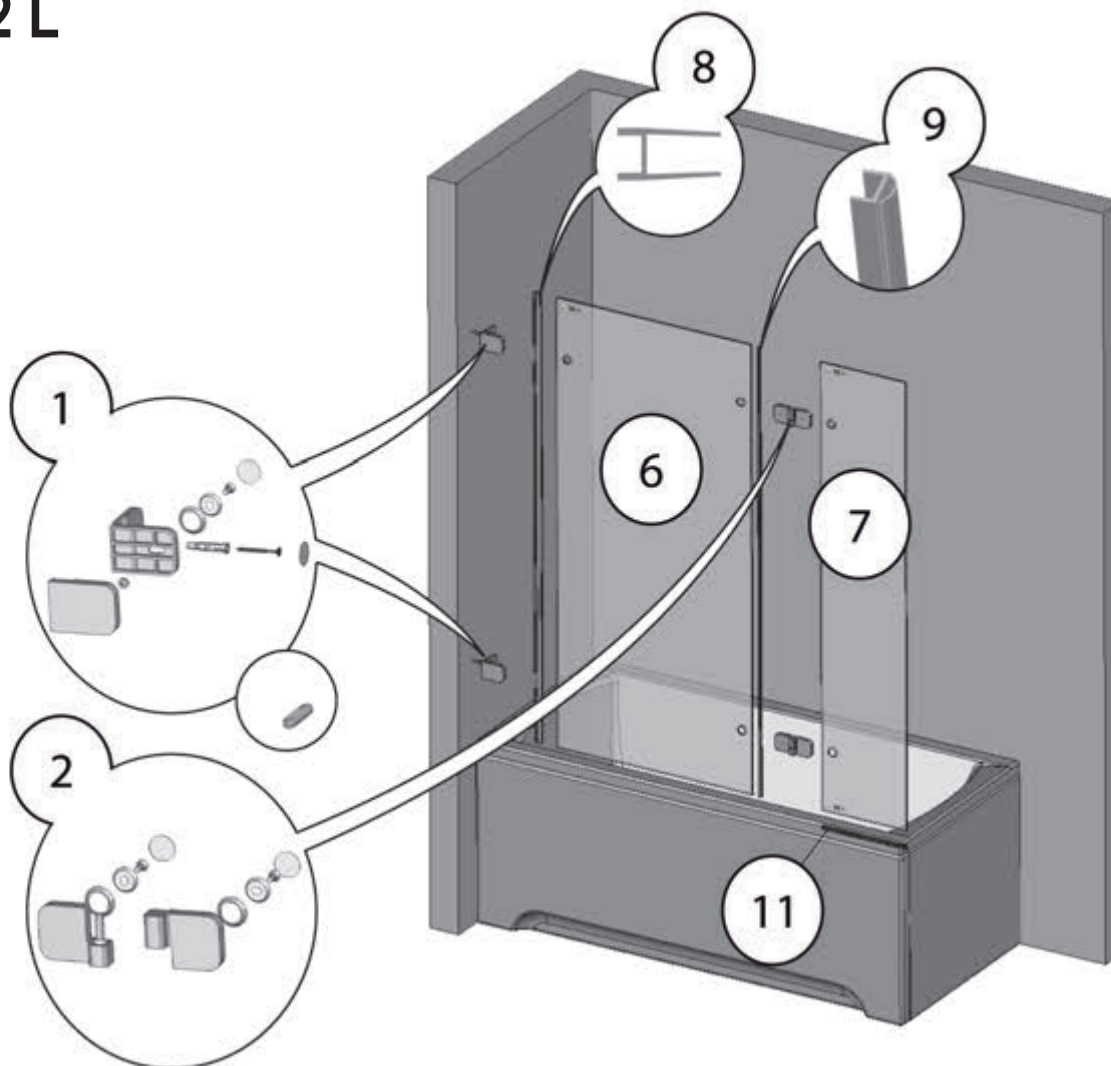
| Č. | Náhradní díl název | BVS1 - 80 |
|----|--|------------------|
| 1 | Úchyt Z-S komplet Brilliant Chrom | X3BR01S010A |
| 2 | Pant levý komplet Brilliant Chrom | |
| | Pant pravý komplet Brilliant Chrom | |
| 3 | Vzpěra krátká komplet Brilliant Chrom | |
| 4 | Madlo komplet Brilliant Chrom | |
| 5 | Sada - magnetky BSD2 L/R komplet | |
| 6 | Sklo 8,0x1498x685 čiré BR-SR-PPV-010 | |
| | Sklo 8,0x1498x787 čiré BR-SR-PV1-010 | X4Z180E987870GV0 |
| 7 | Sklo 6,0x1492x298 čiré BR-SR-DV-010 | |
| 8 | Těsnění Brilliant zed'-sklo dl.1498 mm | X3BR01005020 |
| 9 | Těsnění GLASS sklo-sklo dl.1498 mm | |
| 10 | Nosič magnetu | |
| 11 | Těsnění GLASS sklo-sklo 135 dl.298 mm(okapnička) | |
| 12 | Prahová lišta | |



BVS2 L; BVS2 R

| Č. | Náhradní díl název | BVS2 - 100L | BVS2 - 100R |
|----|--|------------------|------------------|
| 1 | Úchyt Z-S komplet Brilliant Chrom | X3BR01S010A | X3BR01S010A |
| 2 | Pant levý komplet Brilliant Chrom | X3BR02S01LA | |
| | Pant pravý komplet Brilliant Chrom | | X3BR02S01RA |
| 3 | Vzpěra krátká komplet Brilliant Chrom | | |
| 4 | Madlo komplet Brilliant Chrom | | |
| 5 | Sada - magnetky BSD2 L/R komplet | | |
| 6 | Sklo 8,0x1498x685 čiré BR-SR-PPV-010 | X4Z180E986850GP0 | X4Z180E986850GP0 |
| | Sklo 8,0x1498x787 čiré BR-SR-PV1-010 | | |
| 7 | Sklo 6,0x1492x298 čiré BR-SR-DV-010 | X4Z160E922980GD0 | X4Z160E922980GD0 |
| 8 | Těsnění Brilliant zedř-sklo dl.1498 mm | X3BR01005020 | X3BR01005020 |
| 9 | Těsnění GLASS sklo-sklo dl.1498 mm | | |
| 10 | Nosič magnetu | | |
| 11 | Těsnění GLASS sklo-sklo 135 dl.298 mm(okapnička) | X86300000200 | X86300000200 |
| 12 | Prahová lišta | | |

BVS2 L



Poznámky

RAVAK a.s., Obecnická 285, 261 01 Příbram I, ČR
tel.: +420 318 427 111, fax: +420 318 427 278, e-mail: info@ravak.cz, web: www.ravak.cz

RAVAK SLOVAKIA spol. s r.o., Einsteinová 11, 851 01 Bratislava
tel.: +421 2 / 444 550 01, fax: +421 2 / 444 550 02, e-mail: obchod@ravak.sk, web: www.ravak.sk

RAVAK POLSKA s.a., Kałęczyn 2B,, ul. Radziejowicka 124, 05-825 Grodzisk Mazowiecki, POLSKA
tel.: 22 / 755 40 30, fax: 22 / 755 43 90, e-mail: info@ravak.pl, web: www.ravak.pl

RAVAK Hungary Kft., 1142 Budapest, Erzsébet királyné útja 125, HUNGARY
tel.: 06 (1) 223 13 15, 06 (1) 223 13 16, fax: 06 (1) 223 13 14, e-mail: info@ravak.hu, web: www.ravak.hu

Ravak Gesellschaft für Sanitärprodukte mbH, Alexanderstrasse 58, D - 45472 Mülheim an der Ruhr
Tel. (0208) 37789-30 Fax. (0208) 37789-55, e-mail: info@ravak.de, web: www.ravak.de

RAVAK a.s., Representative Office in Ukraine, 21 Dniprovska Naberezhna str., 2nd floor, 02081, Kyiv, Ukraine
tel.: 00380 44 2203232, 00380 44 3605200, fax: 00380 44 2204343, e-mail: ravak@ravak.kiev.ua, web: www.ravak.ua

OOO RAVAK ru, ul. Staropetrovskiy pr. 7A, Moskva 125 130,
tel./fax: 007 495 710 82 23, 007 495 450 12 77, e-mail: ravak@inbox.ru, web: www.ravak.com

RAVAK®

RAVAK a.s., Obecnická 285, 261 01 Příbram I
tel.: +420 318 427 200, 318 427 111 fax: +420 318 427 269
e-mail: info@ravak.cz, www.ravak.com

Výrobce si vyhrazuje právo změny ceny, technických parametrů, či dalších skutečností bez předchozího upozornění a nenese odpovědnost za tiskové chyby.